



Digital Audio Platform model 7 series

Texas Instruments floating point DSP based development and Audio Platform

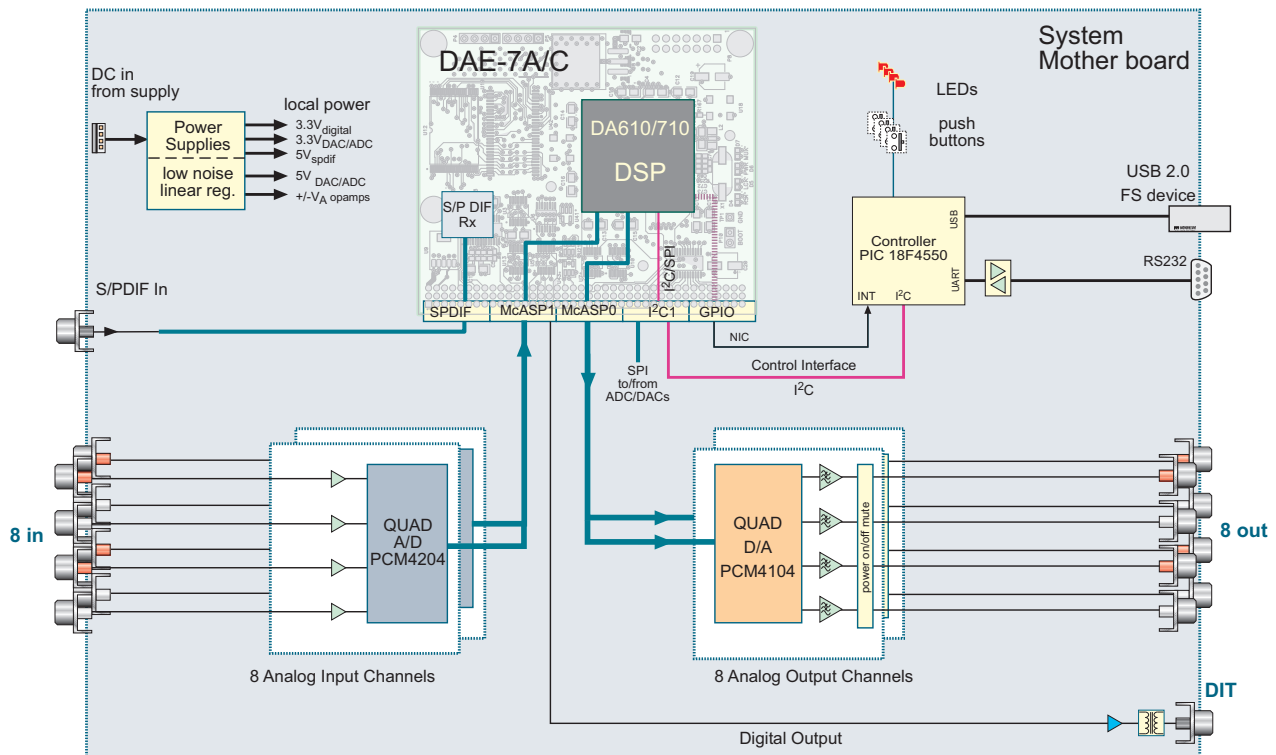
Momentum Data Systems' Digital Audio Platform model 7 series provide a high performance off-the-shelf audio processing solution for OEMs and system integrators needing a ready to ship hardware solution for custom software development of applications using the DAE-7A (DA610 based) or DAE-7C (DA710 based) modules.

Based on MDS' Digital Audio Engine (DAE-7) modules, the product provides a complete box level solution that can be customized for OEM applications.

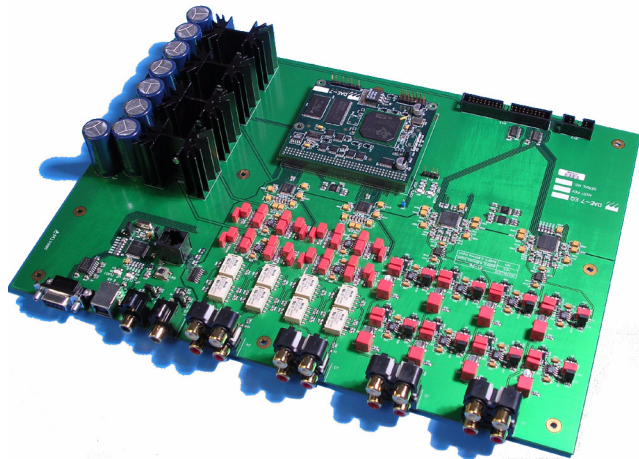
Development can be done with standard Texas Instruments tools: Code Composer Studio (CCS) and compatible JTAG. If needed access to the TI Performance Audio Framework (PAF) can also be provided. This provides the ability to implement AVR applications using standard Dolby and DTS decoders (Dolby & DTS license required).

Hardware features

- 8 ADC input channels, 115 dB dynamic range and > 100 dB THD+N, typical
- 8 DAC output channels, 115 dB dynamic range and > 104 dB THD+N, typical
- RCA S/PDIF input and output
- High quality toroidal transformer based linear supply
- USB device port for PC control
- RS232 port for general purpose control
- Flash (firmware) field upgrades via S/PDIF or USB



Digital Audio Platform model 7



Ordering information

Systems can be configured with a DAE-7A (DA610) or DAE-7C (DA710) based module. If Dolby and/or DTS decoders (standard decoders only) are desired a setup fee will be required and proof of license is needed.

Please contact MDS sales department with your system needs to obtain a quotation for your exact configuration.

OEM versions are also available, including board-only configurations for installation in your own chassis.

Support for application development is not included and can be contacted separately.

Consulting services are also available from Momentum Data Systems.

Related items

Please visit <http://www.mds.com> for more information on these and other products to speed your design to market.



Dolby is trademark of Dolby Laboratories, Inc.

DTS is a trademark of Digital Theater Systems, Inc.

THX is a trademark of THX Ltd.

Aureus, TMS320, TMS320DA61x, DA61x, DSP/BIOS, RTDX, Code Composer Studio, TMS320C6000 and TMS320C67x are trademarks of Texas Instruments.

DAP, DAE, DAE-5, DAE-7, DDE are trademarks of Momentum Data Systems, Inc.



DAP-7 Dev Data Sheet rev 1a May 2011 Specifications subject to change

17330 Brookhurst St., Suite 230, Fountain Valley, CA 92708

Phone: 714-378-5805 / Fax: 714-378-5985

email: sales@mds.com / web URL: <http://www.mds.com>