

DAE - 7A™

Floating Point DSP module with software framework AVR applications

Momentum Data Systems DAE-7A module provides an off-the-shelf audio processing solution for OEMs and system integrators needing a low cost, quick time to market solution.

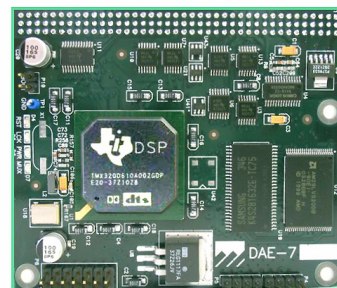
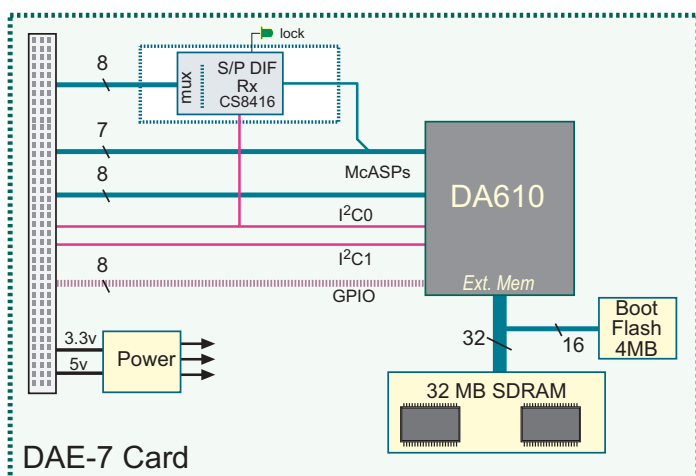
The MDS DAE-4 and 6 series includes A/D and D/A converters; in contrast the DAE-7 offers fifteen I²S ports (plus a 16th as an input if SPDIF is not used) allowing the mixed signal portions to be selected to meet the exact system requirements.

For OEMs and integrators needing assistance with analog, system, or software design, MDS' Audio Services Group can provide design services ranging from consulting through complete product design.

These applications run under Texas Instrument's Performance Audio Framework; this can require significant experience with that environment to develop applications. Customers new to the Performance Audio framework should contract to MDS for application development.

Hardware features

- Fifteen I²S ports supporting stereo 24 bit 192 kHz codecs.
- Independent input and output clocks allows upsampling.
- S/PDIF input (or 16th I²S if not using SPDIF).
- 300 MHz processor with native 32 bit floating point and extended 64 bit floating point support.
- 32 MB SDRAM and 4MB boot flash for code.
- On board linear regulators to reduce EMI/RFI
- Low cost 120 pin 2mm grid connector
- I²C control port, module address assignable by connector personalization pins (4 possible addresses)
- Flash (firmware) field upgrades via I²C from the host system processor



Texas Instruments DA610 DSP based OEM Audio Modules

The DAE-7C uses the Texas Instruments 250 MHz DA610 (a version of TI's TMS320C6711™ processor line) VLIW processor. Executing multiple instructions per clock cycle, these parts provide the computational power to perform all I/O and decoder operations with enough CPU bandwidth left over for sophisticated sound field processing.



The use of floating point arithmetic throughout overcomes the inherent dynamic range limitations of fixed point (integer) processors. The DA710 has 4 floating point ALUs and 2 floating point multipliers, so there is no performance penalty associated with preferred floating point operations.

DAE-7A Performance Audio Framework Software Features

- Decoders
 - DTS-96/24, DTS-ES Discrete
 - Dolby Digital
 - PCM-96/24
 - AAC (optional)
- Matrix Processing
 - Pro Logic IIx, Dolby Digital EX
 - DTS-ES Matrix, DTS Neo:6 2-channel
- Post Processing
 - Comprehensive Bass Management
 - Tone Controls, 7-Channel Stereo/Mono
 - Double Bass Mode, Loudness control
 - THX Ultra 2 (optional)
 - Sound field effects (i.e., Studio, Club, Hall, Cathedral, Movie/Theater, etc., 18 total)
 - Virtualization
 - Parametric EQ

Unlike fixed decoder devices, the software architecture of the DAE-7 is based on the Performance Audio Framework. This open and extensible framework allows for software customization (e.g. to add specific audio processing), as well as in-the-field software upgrades to support new features and standards.

The system's device drivers automatically recognize the type of source encoding and automatically switch operation to the correct decoder with no artifacts in the output audio stream. The stream manager architecture simplifies development of post processing/effects such as room equalization, dynamic range compression, and surround modes.

DAE-7 : Digital Audio modules

Ordering information (order code is in *Italics*)

Shipment of DAE-7 products with decoder capability requires appropriate license information from Dolby Labs, Digital Theater Systems, or THX, as needed.

Modules orders are subject to minimum quantities, please contact MDS sales department for a quotation

DAE-7xxx: DAE-7A with 250 MHz DA610 processor

7xxx represents specific model numbers that may or may not contain optional features. Some features may incur additional charges for porting or per unit license fees.

Consulting services are also available from Momentum Data Systems.

DDE-STD: 90 Day Startup Support (inc. with *DESK-7xxx*)

- Help with installation of hardware/software.
- Problems in installation.
- How to use/run hardware or software that comes with the system. This excludes example programs because they are provided as-is, without support.
- General questions on background information (standards, etc.)

Please see the MDS website for a copy of the DAE Support data sheet, which has full details.

Specifications

Dimensions: 3.3" x 2.8" (approx 84 mm x 71mm). Bottom to top (mother board top to top of DAE-7 connectors) height .597" (15.2 mm)

Power: +5V (used to create quiet PLL supply), + 3.3V @ 2 amps

DAE board connector: Samtec TMMH-140-01-F-T or equivalent.

Supported ADC/DACs/Volume controls

Different parts have different control requirements. While in most cases the host processor can take responsibility, there are some direct hardware level interactions that the DAE board needs to be involved with (MUTE is the most critical).

Please contact MDS to discuss hardware choices and to determine if specific hardware might require modification to the DAE's drivers.

Related items

Please visit <http://www.mds.com> for more information on these and other products to speed your design to market.



Dolby is trademark of Dolby Laboratories, Inc.

DTS is a trademark of Digital Theater Systems, Inc.

THX is a trademark of THX Ltd.

Aureus, TMS320, TMS320DA61x, DA61x, DSP/BIOS, RTDX, Code Composer Studio, TMS320C6000 and TMS320C67x are trademarks of Texas Instruments.

DAE, DAE-5, DAE-7, DDE are trademarks of Momentum Data Systems, Inc.

DAE-7A Data Sheet rev 1a May 2011 Specifications subject to change



17330 Brookhurst St., Suite 230, Fountain Valley, CA 92708

Phone: 714-378-5805 / Fax: 714-378-5985

email: sales@mds.com / web URL: <http://www.mds.com>